



# **ST-Safe portable eye wash station**

**Article code 23-1501-160**

## **Installation, use and maintenance instructions**

Eye wash installation, use and maintenance instructions, please read this manual carefully.

### **Catalog**

#### I. Product Profile

1. Definition
2. Functions

#### II. Parameters, Dimensions, Use, Maintenance, Packing

1. Technical parameters
2. Shape size
3. Usage
4. Maintenance
5. Packing list

## I. Product Profile

### 1. Definition:

Portable eyewash is suitable for use in places where there is no fixed water source or need to change workplaces frequently. The greatest advantage is that it is easy to install and move quickly. It can be used alone or with a trolley. The installation height of portable eyewash is 834-1143 mm from the eyewash nozzle to the ground.

Eye washer effluent flow: at least 15 minutes, approximately 3 litres/minute.

### 2. Functions:

When chemical substances are sprayed on the workers' eyes and faces at the work site, the use of a portable eye wash system for washing can quickly reduce the hazards to a minimum and reduce the harm caused by toxic substances to the workers. This product is only used to temporarily alleviate harmful substances in emergencies, not medical equipment. For further treatment, please follow the doctor's guidance.

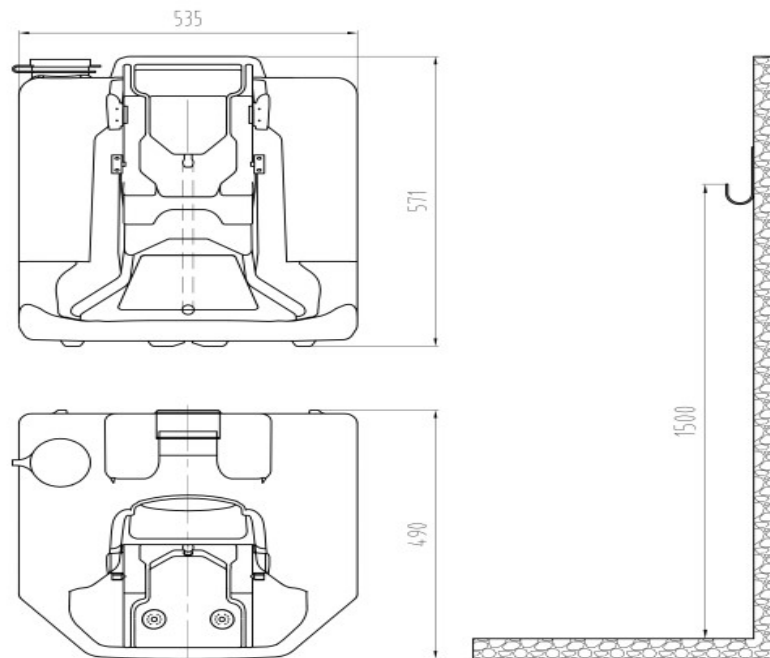
Welded trolley and plastic trolley can be matched with a number of portable eye washers, movable, fixed with brakes, use place can be replaced at any time, more convenient to use. It is widely used in medical, petroleum, chemical, electronics, education, schools, semiconductor enterprises in dangerous work areas and laboratories of emergency rescue devices.

## II. Parameters, Dimensions, Use, Maintenance, Packing

### 1. Technical parameters

Design and Manufacturing Standards	EN 15154, ANSI Z358.1-2014		
Rated capacity	60 L	Functional capacity	38L
Flow (L/min)	2	Duration (min)	> 15
Material Science	PE		
Applicable media	Drinking water or clean water at normal temperature and in conformity with hygienic standards		

## 2. Shape size



## 3. Use method:

- (1) Ensure that the height of the eyewash nozzle is between 838 and 1143, and fix the station on the wall with the wall bracket. It can also be used on a cart.
- (2) Pour 200 ML water preservative into the bucket, and then pour 60 L pure water into the bucket.
- (3) When you need to wash your eyes, pull down the eyewash platform and the eyewash starts to spray automatically. Keep your eyes open and flush your eyes up to 15 minutes. After the washing is finished, pull the eyewash platform upward and close the eyewash until the lock is heard.

## 4. Maintenance:

Pure water and clear water preservatives should be replaced every 120 days. Pure water without water preservative must be replaced within 7 days.

## 5. Packing list

Serial Number	Part Name	Unit Number	QUANTITY	Remarks
1	Eye wash bucket	individual	1	
2	Wall hook	individual	1	
3	Expansion bolt	set	2	
4	Instructions	book	1	
5	Certificate	pc	1	

In case of questions, please call: t. 00-31-38-4215522

Version April 2024

Changes reserved